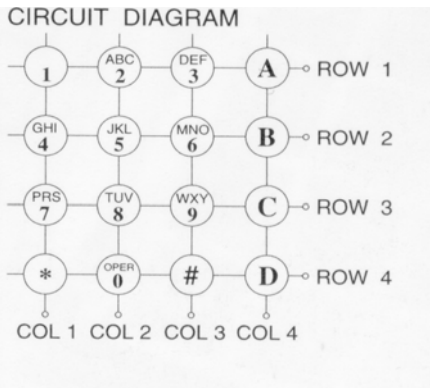
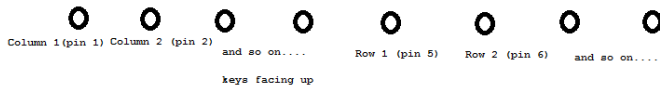




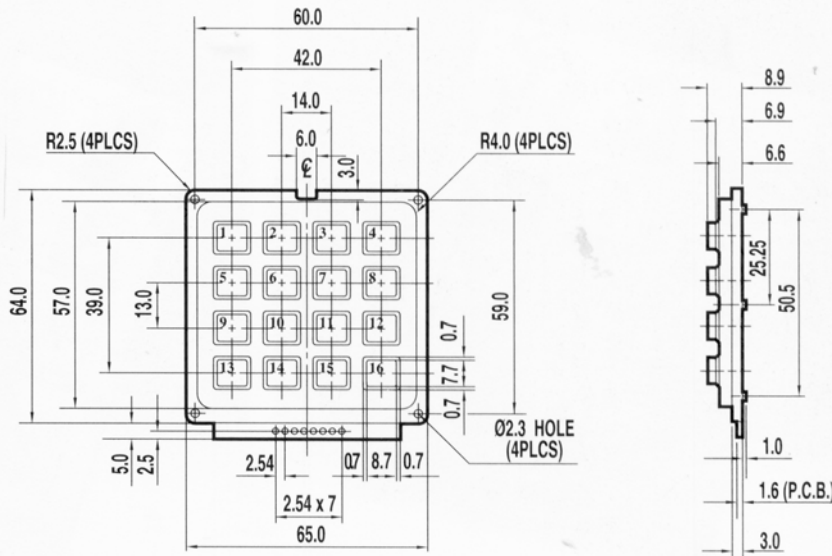
## GENERAL SPECIFICATION

- Contact rating: 20mA, 24VDC
- Contact resistance: 200 ohm max
- Life: 1,000,000 cycles per key
- Operating Temperature: -20°C to +60°C
- Storage Temperature: -40°C to +65°C

## STANDARD MATRIX CIRCUIT DIAGRAM



OUTPUT ARRANGEMENT	
OUTPUT PIN NO.	SYMBOL
1	COL 1
2	COL 2
3	COL 3
4	COL 4
5	ROW 1
6	ROW 2
7	ROW 3
8	ROW 4



ACTUATING FORCE:  $100 \pm 30$  GRAMS.  
STROKE:  $1.5 \pm 0.5$  mm.